

**AXC 315-6/11°-2(B)-PV
(160) (0.75 kW) S IE3**

**Temperature 300 °C /
120min**

Item no. CAPVB031120301C

Description

Smoke extract axial fan AXC(B):

- Certified according to EN 12101-3 for 300°C/120 min.
- CE mark of conformity.
- Suitable for use inside or outside the fire zone. Temperature of medium for continuous operation from -20°C up to 55°C. Air direction from motor to impeller.

Impeller:

- The adjustable blade angle allows flexible and exact adjustment to the desired working point with optimum efficiency.
- Impellers with profiled blades made of cast aluminum alloy.
- Dynamically balanced according to ISO 21940-11 and ISO 14694, balancing quality G6,3.

Casing:

- Manufactured from hot-dip galvanized sheet steel according to ISO 1461.
- Pre-drilled, rolled Eurovent 1/2 flanges pressed on both sides provide additional stability.
- Pre-wired terminal box on fan casing for easy electrical connection, IP65 (IEC 60034-5).
- PV version: Includes bolt-on outlet guide vanes which increases fan pressure and efficiency.

Motor:

- Motor suitable for 300°C/120min or 55°C continuous operation.
- High efficiency three-phase asynchronous motors with squirrel cage rotor, directly in the air stream.
- Protection class IP55 (IEC 60034-5), insulation class H.
- The motors can be equipped with PTC thermistors for motor protection (on request).
- Single and two-speed motors are available.
- Speed controllable via frequency converter, suitable for turn down to 10 Hz.

The AXC(B) axial fans have been tested in Systemair's AMCA certified Laboratory according to ISO 5801 and AMCA 210.



Required point

Airflow (qv)	0.40	m³/s
Fan static pressure	230	Pa
Air density	1.204	kg/m³

Working point

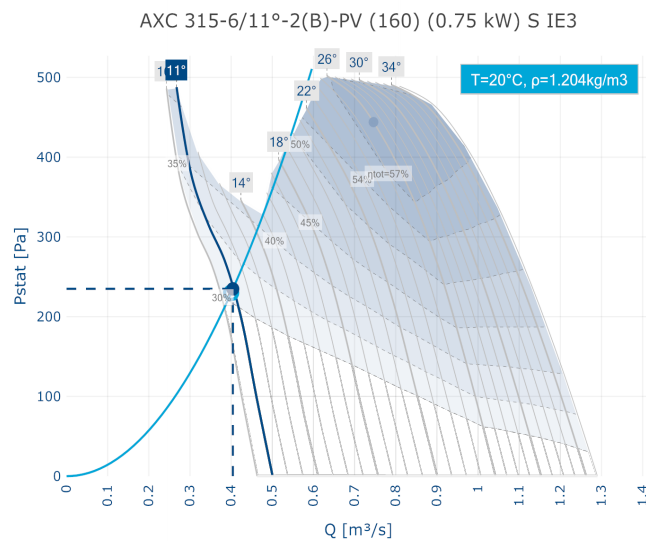
Airflow (qv)	0.40	m³/s
Fan static pressure	235	Pa
Dynamic pressure (pd)	16	Pa
Air velocity	5.2	m/s
Total Efficiency (eta)	31	%
Shaft power (P2)	0.32	kW
Max. shaft power (P2max.)	0.35	kW
Impeller angle	11°	
FEI (Fan Energy Index, AMCA 214-21)	0.99	

Technical Data

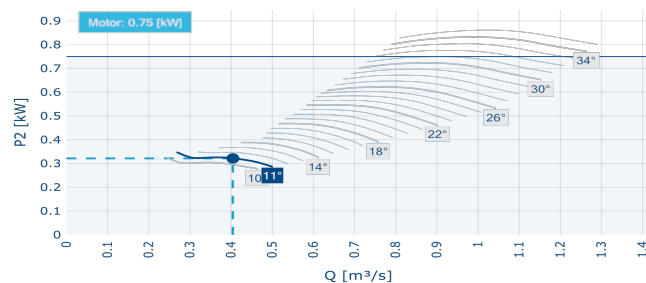
Motor form	B3
Blades	6
Voltage/frequency	3~400V/50Hz
Nominal motor power	0.75 kW
Poles	2
Nominal motor speed	2,865 rpm
In	1.7 A
Ia/In	7.5
Motor frame size	80
Protection class motor	IP55
ISO-class motor	H
Fan weight	43 kg
Fan weight with accessories	46 kg

According to VDE/EN standards, nominal current tolerance can be up to ±10%. For operation with frequency converter use sine filter or EMC-kit.

Performance curve



Power diagram



Sound data

	63	125	250	500	1000	2000	4000	8000	Tot	Hz
Sound power (inlet) ¹	65	73	81	83	80	76	71	64	87	dB(A)
Sound power (outlet) ²	67	75	82	84	82	78	73	65	88	dB(A)
Sound power (around) ³	61	69	76	78	76	72	67	59	82	dB(A)
Sound pressure Lp	45	53	60	62	60	56	51	43	66	dB(A)

1 - according to AMCA, 2 - calculated value, 3 - calculated value, Lp: free field conditions, Inlet Sound pressure level(Lp) distance: 3m

Documents

[Installation and Operating Instructions \(Axial fans/Jet fans\)](#)

[VDE Certificate of conformity with factory surveillance](#)

[EU Declaration of conformity \(pdf\)](#)

[Certificate of constancy of performance \(pdf\)](#)

[UKCA Declaration of conformity](#)

[Company statement - Frequency converter \(AXC\(B\), MUB\) \(pdf\)](#)

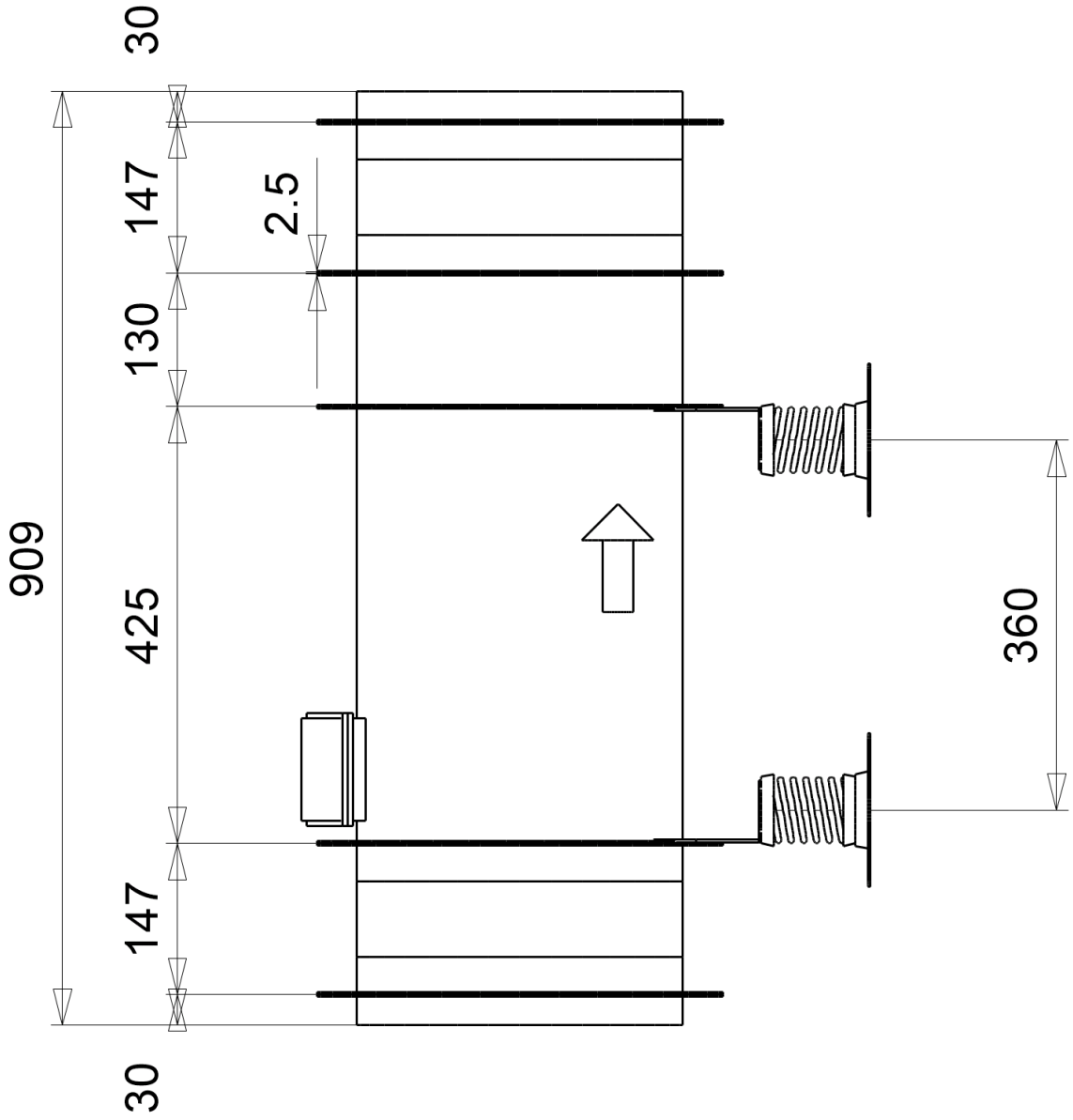
[Declaration of performance AXC\(B\) \(pdf\)](#)

[Declaration of performance AXC\(B\) \(pdf\)](#)

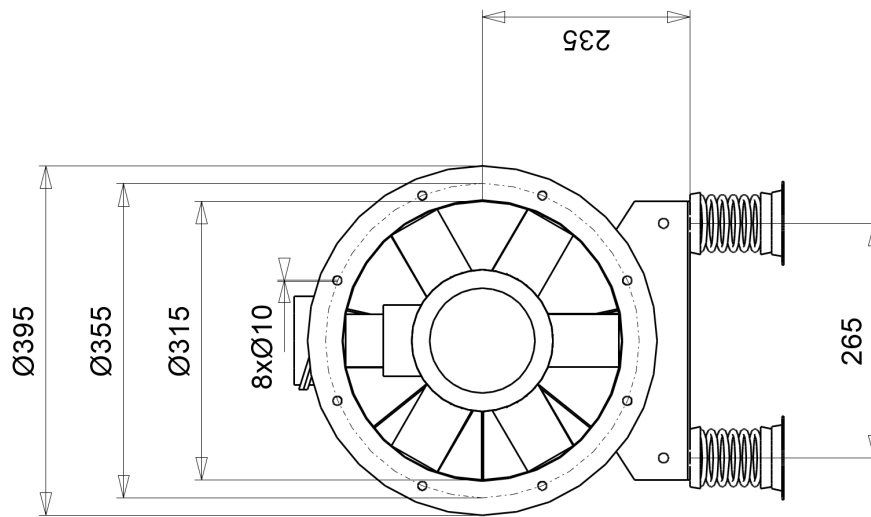
Accessories

311283	MFA-AXC/AM 315 mounting foot	2
311438	FSD1 AXC spring d. set ≤64kg	1
8364	EVH 315 flex.conn. AXC 400°C	2
8376	GFL-AR/AXC 315 counter flange	2

Dimensions
All dimensions in mm
Front



Dimensions
All dimensions in mm
Left



Right

